

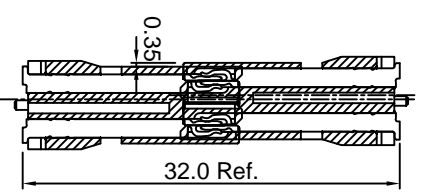
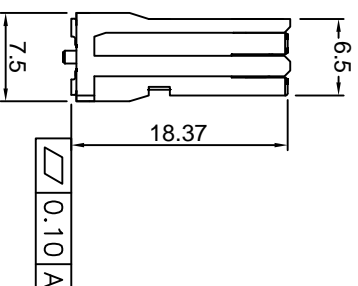
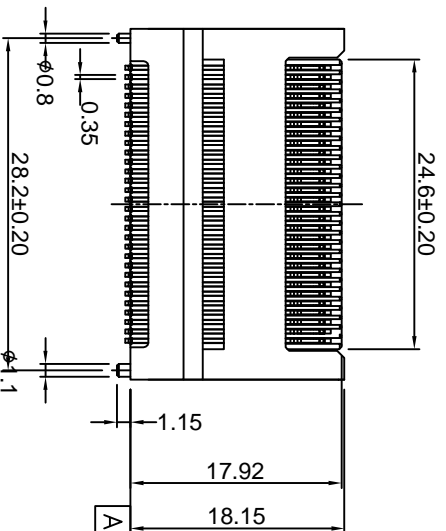
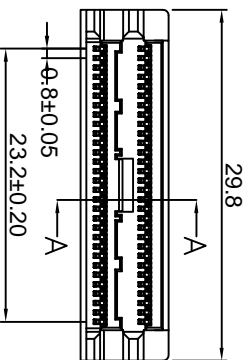
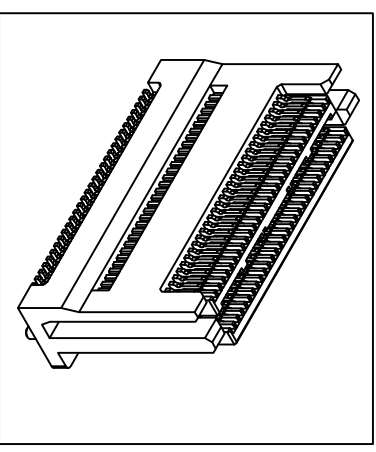
# 0.8PITCH BOARD TO BOARD SERIES

## 60P 0.8PITCH BOARD TO BOARD SMD TYPE

### MATING HEIGHT:32mm

#### Specifications:

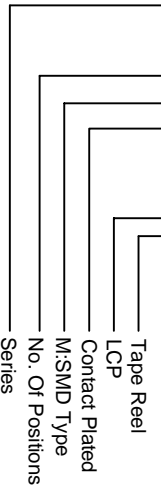
- Current Rating : 0.5 Amp
- Voltage Rating : 100V AC/DC
- Contact resistance : 40m Ohm Max
- Insulator resistance : 100M ohm min.
- Withstanding Voltage : 500V AC/Minute
- Operating Temperature Range : -20°~+85°C
- Max Processing Temperature : 260° for 5 seconds
- Insulator Material : LCP UL 94V-0
- Insulator Color : Black
- Contact Material : Phosphor Bronze
- Contact Plated : Gold plated(standard)



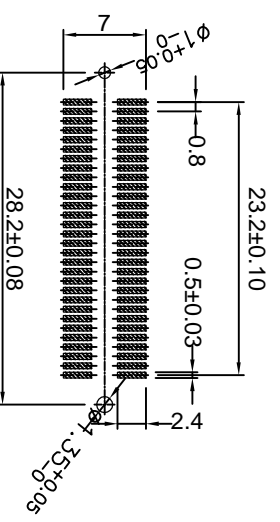
Mated Condition

#### How To Order

B080B-60MGX-181-LD



Contact Plated		Gold Plated	
Code	Contact Area	Code	Contact Area
GF	Gold Flash	G3	Gold 10u"
G1	Gold 3u"	G4	Gold 15u"
G2	Gold 5u"	G6	Gold 30u"



Recommended PCB Layout