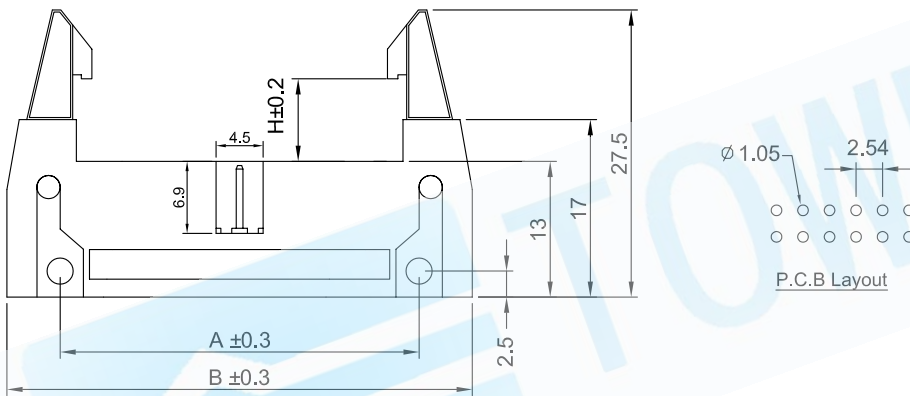
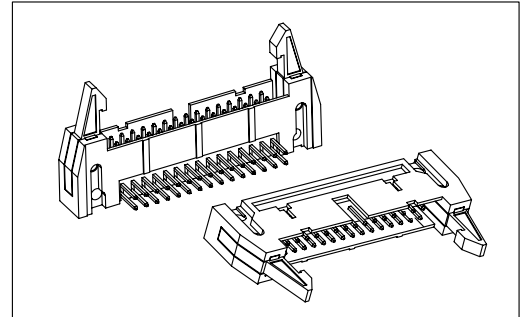


# 0.1"(2.54mm) Shrouded Header

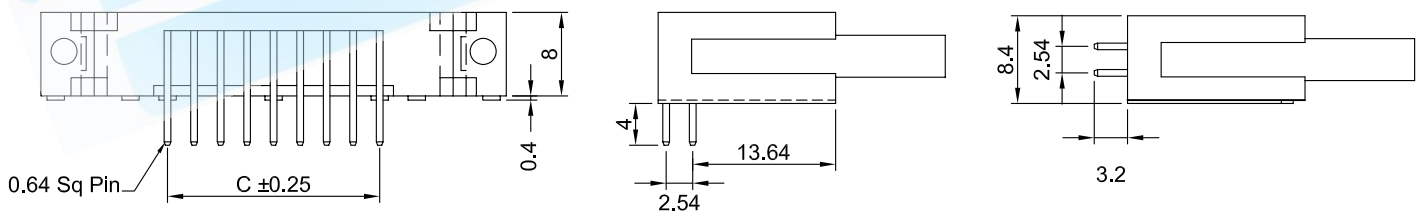
## Dual Row 10 to 64 Contacts Straight And Right Angle Type

### SPECIFICATION

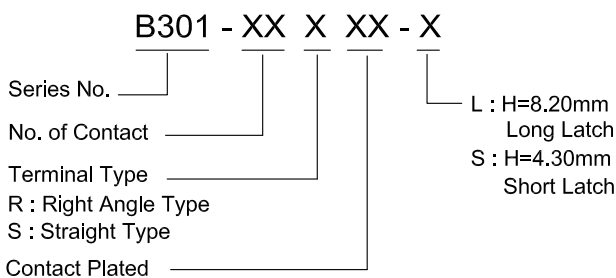
Current Rating	: 3 Amp
Insulator Resistance	: 1000 Megohms min.
Contact Resistance	: 20 Milliohms Max.
Dielectric Withstanding	: AC 500 V
Operating Temperature	: -40°C ~ +105°C
Contact Material	: Phosphor Bronze or Brass
Insulator Material	: Polyester, UL 94V-0
	Standard : P.B.T.
Contact Plated	: Full Gold, Full Tin, Selective Plated
Standard	: Gold Flash all Over Nickel



CONTACTS	DIMENSION		
	A	B	C
10P	21.66	31.88	10.16
12P	24.20	34.42	12.70
14P	26.67	36.96	15.24
16P	29.30	39.50	17.78
20P	34.38	44.58	22.86
24P	39.46	49.66	27.94
26P	42.00	52.20	30.48
30P	47.08	57.28	35.56
34P	52.16	62.36	40.64
40P	59.78	69.98	48.26
50P	72.48	82.68	60.96
60P	85.18	95.38	73.66
64P	90.26	100.46	78.74



### HOW TO ORDER



Full Gold Type	Selective Plated Type Gold Plated on Contact Area Tin Plated on Solder Area	Full Tin Type
GF : Gold Flash	HF : Gold Flash, Tin 100u"	T1 : Tin 100u"
G1 : Gold 3u"	H1 : Gold 3u", Tin 100u"	T2 : Tin 200u"
G2 : Gold 5u"	H2 : Gold 5u", Tin 100u"	
G3 : Gold 10u"	H3 : Gold 10u", Tin 100u"	
G4 : Gold 15u"	H4 : Gold 15u", Tin 100u"	
G5 : Gold 20u"	H5 : Gold 20u", Tin 100u"	
G6 : Gold 30u"	H6 : Gold 30u", Tin 100u"	