

MINI JUMPER SERIES

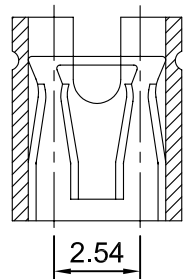
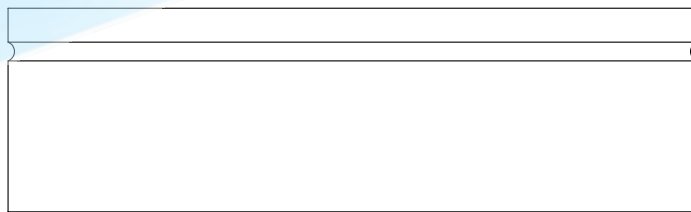
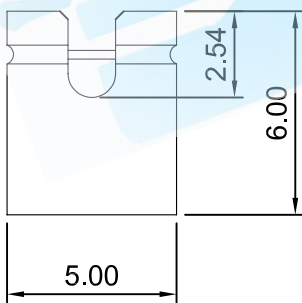
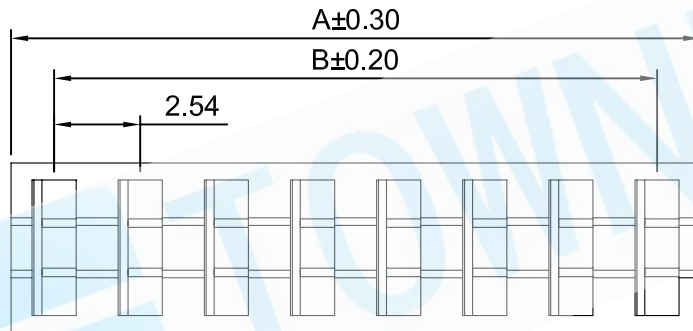
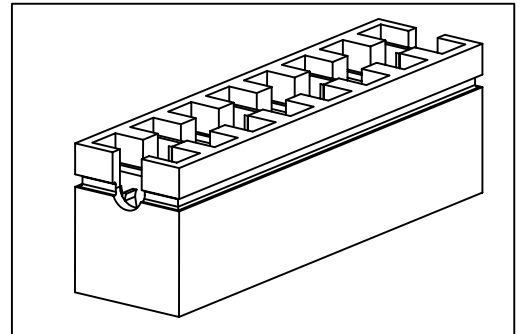
2.54 PITCH OPEN TYPE HEIGHT 6.0mm

Specifications:

Current Rating:3.0 Amp
 Voltage Rating:150V AC/DC
 Contact resistance:20m Ohm Max
 Insulator resistance:5,000M ohm min.
 Withstanding Voltage:500V AC/Minute
 Operating Temperature Range:-40° ~+105° C

Material And Finish

Insulator:Polyester(UL 94V-0)
 Standard:PBT+30% Glass Fiber
 Contact:Brass or Phosphor Bronze
 Contact Plated:Full Gold or Full Tin



| Pos | Dimension | | Pos | Dimension | |
|-----|-----------|-------|-----|-----------|-------|
| | A | B | | A | B |
| 2 | 4.78 | 2.54 | 9 | 22.56 | 20.32 |
| 3 | 7.32 | 5.08 | 10 | 25.10 | 22.86 |
| 4 | 9.86 | 7.62 | 11 | 27.64 | 25.40 |
| 5 | 12.40 | 10.16 | 12 | 30.18 | 27.94 |
| 6 | 14.94 | 12.70 | 13 | 32.72 | 30.48 |
| 7 | 17.48 | 15.24 | 14 | 35.26 | 33.02 |
| 8 | 20.02 | 17.78 | 15 | 37.80 | 35.56 |

Contact Plated

| Full Gold Type | Full Tin Type |
|-----------------|----------------|
| GF : Gold Flash | T1 : Tin 100u" |
| G1 : Gold 3u" | T2 : Tin 200u" |
| G2 : Gold 5u" | |
| G3 : Gold 10u" | |
| G4 : Gold 15u" | |
| G5 : Gold 20u" | |
| G6 : Gold 30u" | |

Insulator color

| | |
|---|--------|
| K | Black |
| B | Blue |
| W | White |
| E | Green |
| R | Red |
| G | Gray |
| Y | Yellow |

How To Order

MJ504-XXOXX-X-X

