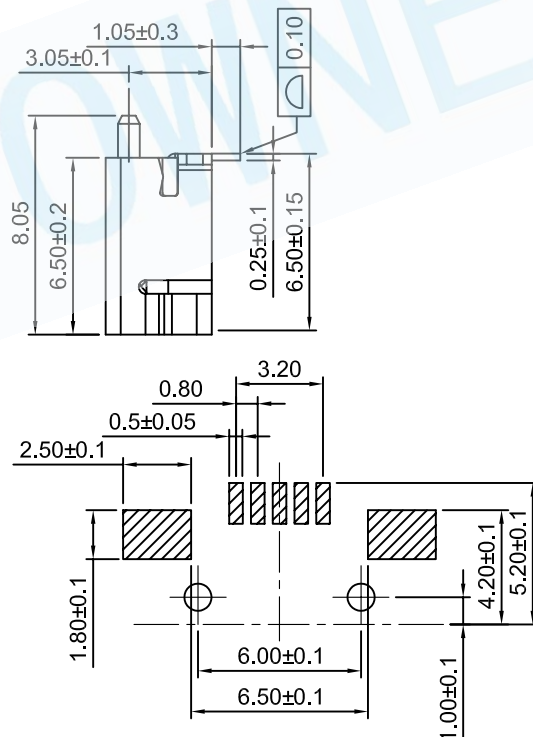
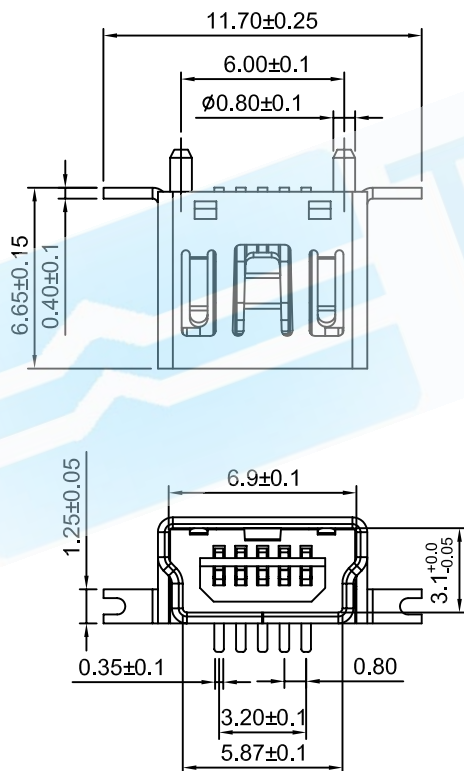
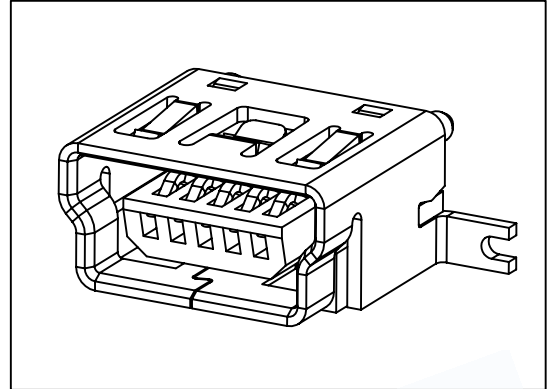


# MINI USB SERIES

## 5P B FEMALE VERTICAL SMD TYPE

### Specifications:

Current Rating	: 1.5 Amp
Voltage Rating	: 250V AC/DC
Contact resistance	: 20m Ohm Max
Insulator resistance	: 1000M ohm min.
Withstanding Voltage	: 500V AC/Minute
Operating Temperature Range	: -20°~+85° C
Max Processing Temp	: 260° for 5 seconds
Insulator Material	: Thermoplastic Nylon 6T(UL 94V-0)
Contact Material	: Phosphor Bronze
Contact Plated	: Selective Gold plated(standard)
Shell	: Copper Alloy With Nickel Plated



Recommended PCB Layout

Full Gold Type	Selective Plated Type Gold Plated on Contact Area Tin Plated on Solder Area	Full Tin Type
GF : Gold Flash	HF : Gold Flash, Tin 100u"	T1 : Tin 100u"
G1 : Gold 3u"	H1 : Gold 3u", Tin 100u"	T2 : Tin 200u"
G2 : Gold 5u"	H2 : Gold 5u", Tin 100u"	
G3 : Gold 10u"	H3 : Gold 10u", Tin 100u"	
G4 : Gold 15u"	H4 : Gold 15u", Tin 100u"	
G5 : Gold 20u"	H5 : Gold 20u", Tin 100u"	
G6 : Gold 30u"	H6 : Gold 30u", Tin 100u"	

### How To Order

MUSB5S-BMXX-X

