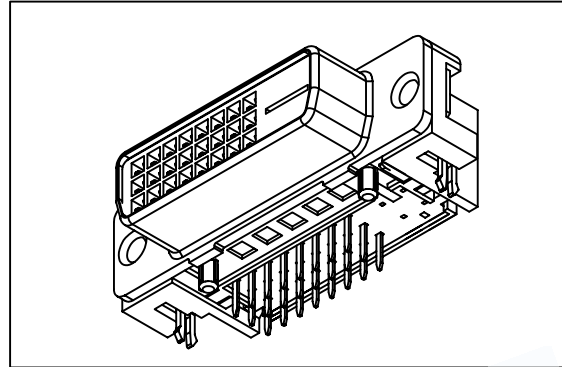


# DVI (Digital Visual Interface)

## 24 Contacts Right Angle Type

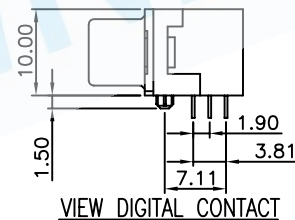
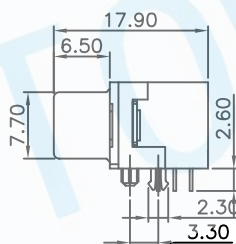
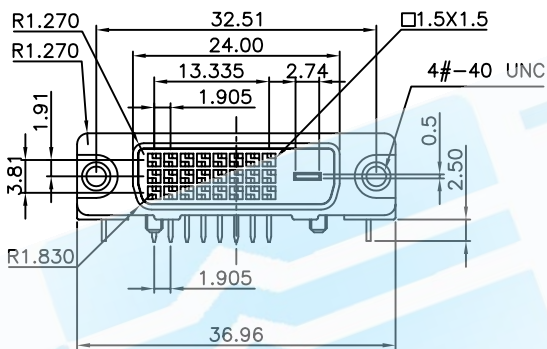
### Specifications

Current Rating:1.0 Amp  
 Voltage Rating:250V AC/DC  
 Contact resistance:20m Ohm Max  
 Insulator resistance:5,000M ohm min.  
 Withstanding Voltage:500V AC/Minute  
 Operating Temperature Range:-40°~+85° C  
 Max Processing Temp: 230° C For 30~60 Seconds  
 260° for10 seconds

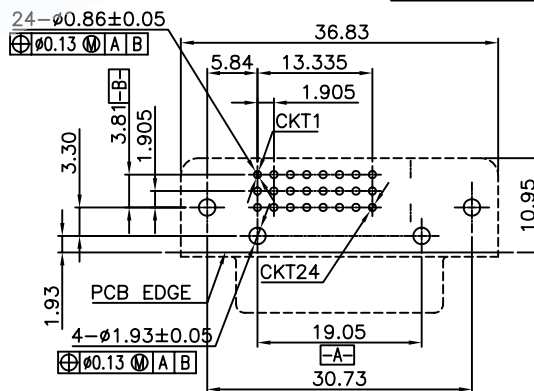
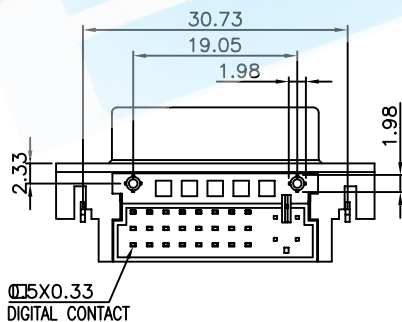


### Material And Finish

Insulator:Polyester(UL 94V-0)  
 Standard :Nylon 6T  
 Contact:Phosphor Bronze  
 Contact Plated:Gold plated(standard)  
 Sheel:Copper Alloy With Nicket Plated



VIEW DIGITAL CONTACT



Recommended PCB Layout

Full Gold Type	Selective Plated Type Gold Plated on Contact Area Tin Plated on Solder Area	Full Tin Type
GF : Gold Flash G1 : Gold 3u" G2 : Gold 5u" G3 : Gold 10u" G4 : Gold 15u" G5 : Gold 20u" G6 : Gold 30u"	HF : Gold Flash, Tin 100u" H1 : Gold 3u", Tin 100u" H2 : Gold 5u", Tin 100u" H3 : Gold 10u", Tin 100u" H4 : Gold 15u", Tin 100u" H5 : Gold 20u", Tin 100u" H6 : Gold 30u", Tin 100u"	T1 : Tin 100u" T2 : Tin 200u"

### How To Order

DVI24S-RXXX2

