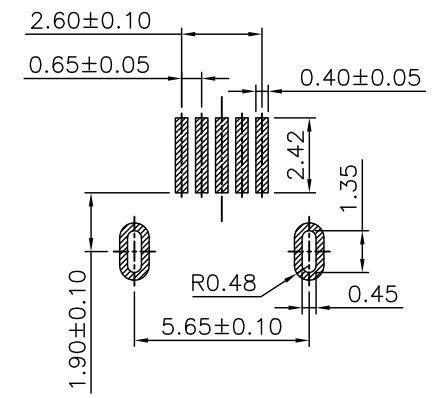


- Note:
- Material:
    - Housing: LCP UL94V-0 Black
    - Contact: Copper Alloy, T=0.20mm
    - Shell: Copper Alloy, T=0.25mm
  - Specification:
    - Current Rating: 1A Max
    - Dielectric Withstanding Voltage: 100V(AC) For 1 Min.
    - Contact Resistance: 50mΩ Max.
    - Insulation Resistance: 100MΩ min.
    - Total Mating Force: 3.57 Kgf Max.
    - Total Unmating Force: Initial:1.0 Kgf Min. 0.81~2.05 Kgf Min. After 10,000 Insertion/Extraction Cycles
    - Temperature range: -30°C~80°C

Recommended Sealing Ring Size:3.5\*8.5(REF)  
(Sealing Ring Material:Silicon Dioxide,White)



Recommended PCB Layout

1.3			
1.2			
1.1			
1.0	RELEASED	Chuck Yin	10-Oct-2017
REV.	ECN. NO.	DR.BY	DATE



MAT'L:	FINISH:
--------	---------

X:	±0.40	X':	±3.0'
X.X:	±0.30	X.X':	±2.0'
X.XX:	±0.20	X.XX':	±1.0'
X.XXX:	±0.10	X.XXX':	±0.5'
UNIT:	mm		
SCALE:	1:1	SHEET:	1/1

TITLE : Micro-USB B Type Water-Resistant Conn.		A4	
APPD.: Gloria Chwu	PART NO : MD-MCUSB5S-BM4GF-LF		
CHKD.:	DWG. NO.: RDA171010-001		
DR.: Chuck Yin	REV.: 1.0	DATE: 10-Oct-2017	