

MINI USB SERIES

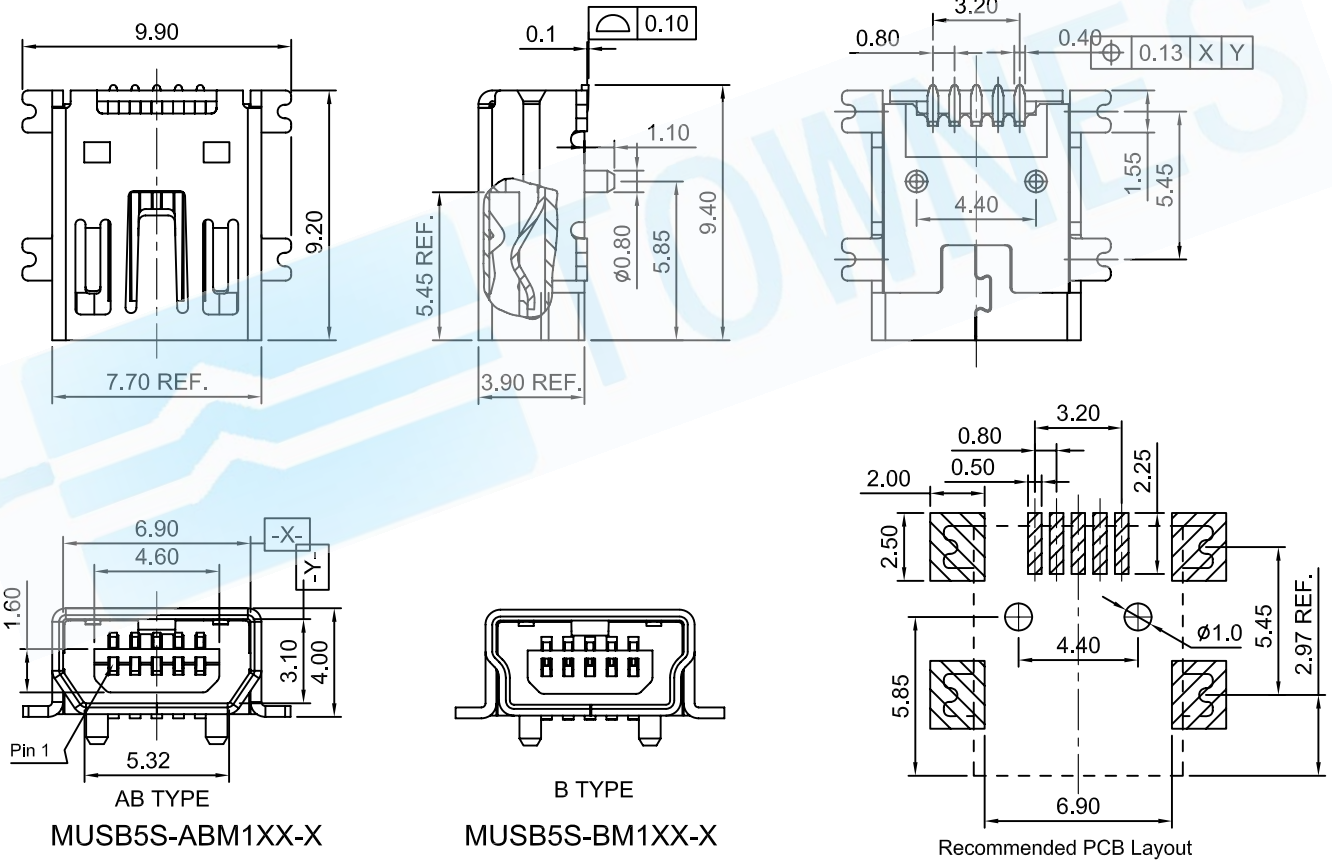
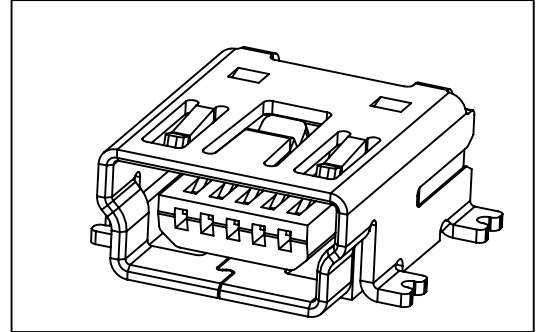
5 CONTACTS AB&B FEMALE SMD TYPE

Specifications

Current Rating:1.5 Amp
 Voltage Rating:250V AC/DC
 Contact resistance:20m Ohm Max
 Insulator resistance:1,000M ohm min.
 Withstanding Voltage:500V AC/Minute
 Operating Temperature Range:-40°~+85° C

Material And Finish

Insulator:Thermoplastic Nylon 6T(UL 94V-0)
 Contact:Copper Alloy
 Contact Plated:Selective Gold plated(standard)
 Shell:Copper Alloy With Nickel Plated



Full Gold Type	Selective Plated Type Gold Plated on Contact Area Tin Plated on Solder Area	Full Tin Type
GF : Gold Flash G1 : Gold 3u" G2 : Gold 5u" G3 : Gold 10u" G4 : Gold 15u" G5 : Gold 20u" G6 : Gold 30u"	HF : Gold Flash, Tin 100u" H1 : Gold 3u", Tin 100u" H2 : Gold 5u", Tin 100u" H3 : Gold 10u", Tin 100u" H4 : Gold 15u", Tin 100u" H5 : Gold 20u", Tin 100u" H6 : Gold 30u", Tin 100u"	T1 : Tin 100u" T2 : Tin 200u"

How To Order

MUSB5S-ABM1XX-X

