

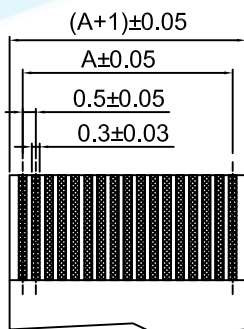
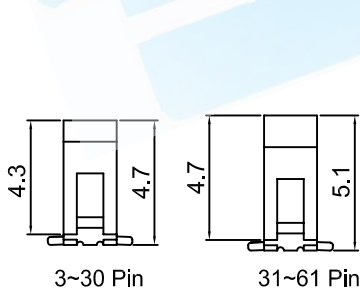
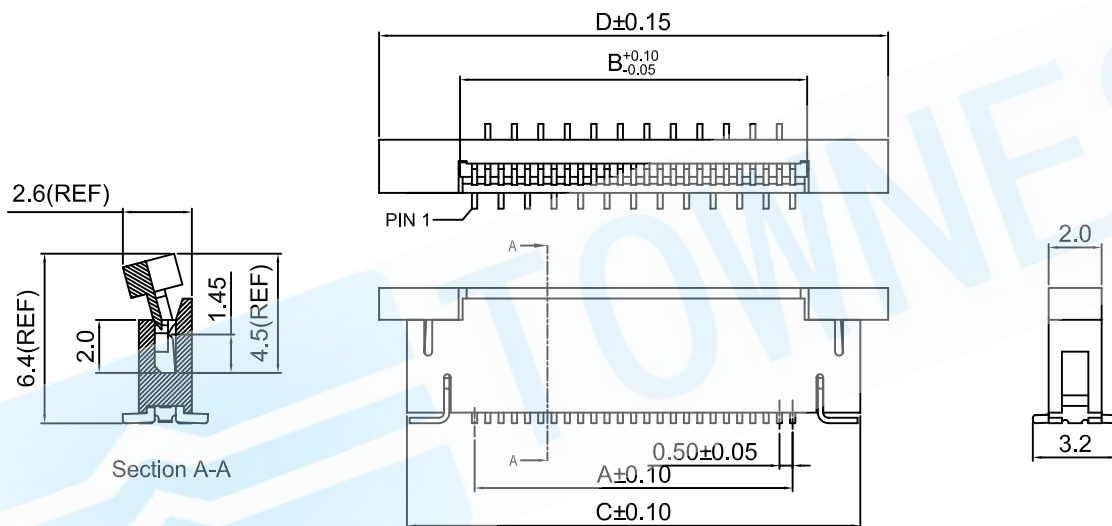
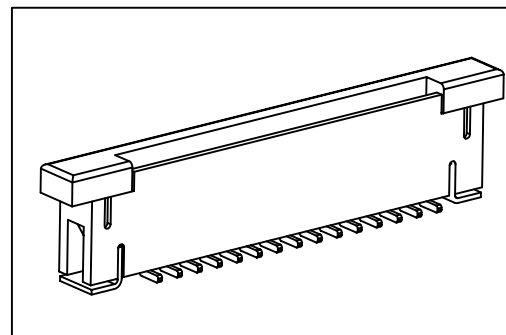
0.002"(0.5mm)FPC/FFC Pitch Connector

ZIF VERTICAL SMT TYPE

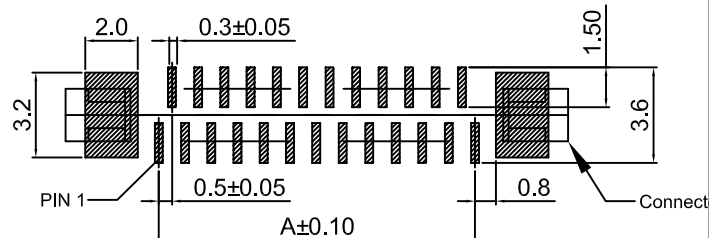
BODY HEIGHT 2.0mm

Specifications:

| | |
|-----------------------------|-----------------------|
| Current Rating | : 0.5 Amp |
| Voltage Rating | : 50V AC/DC |
| Contact resistance | : 20m Ohm Max |
| Insulator resistance | : 50M ohm min. |
| Withstanding Voltage | : 250V AC/Minute |
| Operating Temperature Range | : -20°~+85° C |
| Max Processing Temp | : 260° for 5 seconds |
| Insulator Material | : Polyester, UL 94V-0 |
| Contact Material | : Phosphor Bronze |
| Contact Plated | : Tin Plated |



FFC/FFC Dimension Thickness:0.30±0.05 mm



Recommended PCB Layout

DIMENSION TABLE

| Circuits | Dimension | | | | | Circuits | Dimension | | | | | Circuits | Dimension | | | | |
|----------|-----------|-------|-------|-------|-------|----------|-----------|-------|-------|-------|-------|----------|-----------|-------|-------|-------|-------|
| | A | B | C | D | E | | A | B | C | D | E | | A | B | C | D | E |
| 3 | 1.00 | 2.10 | 6.10 | 8.10 | 7.40 | 23 | 11.00 | 12.10 | 16.10 | 18.10 | 17.40 | 43 | 21.00 | 22.10 | 26.10 | 28.10 | 27.40 |
| 4 | 1.50 | 2.60 | 6.60 | 8.60 | 7.90 | 24 | 11.50 | 12.60 | 16.60 | 18.60 | 17.90 | 44 | 21.50 | 22.60 | 26.60 | 28.60 | 27.90 |
| 5 | 2.00 | 3.10 | 7.10 | 9.10 | 8.40 | 25 | 12.00 | 13.10 | 17.10 | 19.10 | 18.40 | 45 | 22.00 | 23.10 | 27.10 | 29.10 | 28.40 |
| 6 | 2.50 | 3.60 | 7.60 | 9.60 | 8.90 | 26 | 12.50 | 13.60 | 17.60 | 19.60 | 18.90 | 46 | 22.50 | 23.60 | 27.60 | 29.60 | 28.90 |
| 7 | 3.00 | 4.10 | 8.10 | 10.10 | 9.40 | 27 | 13.00 | 14.10 | 18.10 | 20.10 | 19.40 | 47 | 23.00 | 24.10 | 28.10 | 30.10 | 29.40 |
| 8 | 3.50 | 4.60 | 8.60 | 10.60 | 9.90 | 28 | 13.50 | 14.60 | 18.60 | 20.60 | 19.90 | 48 | 23.50 | 24.60 | 28.60 | 30.60 | 29.90 |
| 9 | 4.00 | 5.10 | 9.10 | 11.10 | 10.40 | 29 | 14.00 | 15.10 | 19.10 | 21.10 | 20.40 | 49 | 24.00 | 25.10 | 29.10 | 31.10 | 30.40 |
| 10 | 4.50 | 5.60 | 9.60 | 11.60 | 10.90 | 30 | 14.50 | 15.60 | 19.60 | 21.60 | 20.90 | 50 | 24.50 | 25.60 | 29.60 | 31.60 | 30.90 |
| 11 | 5.00 | 6.10 | 10.10 | 12.10 | 11.40 | 31 | 15.00 | 16.10 | 20.10 | 22.10 | 21.40 | 51 | 25.00 | 26.10 | 30.10 | 32.10 | 31.40 |
| 12 | 5.50 | 6.60 | 10.60 | 12.60 | 11.90 | 32 | 15.50 | 16.60 | 20.60 | 22.60 | 21.90 | 52 | 25.50 | 26.60 | 30.60 | 32.60 | 31.90 |
| 13 | 6.00 | 7.10 | 11.10 | 13.10 | 12.40 | 33 | 16.00 | 17.10 | 21.10 | 23.10 | 22.40 | 53 | 26.00 | 27.10 | 31.10 | 33.10 | 32.40 |
| 14 | 6.50 | 7.60 | 11.60 | 13.60 | 12.90 | 34 | 16.50 | 17.60 | 21.60 | 23.60 | 22.90 | 54 | 26.50 | 27.60 | 31.60 | 33.60 | 32.90 |
| 15 | 7.00 | 8.10 | 12.10 | 14.10 | 13.40 | 35 | 17.00 | 18.10 | 22.10 | 24.10 | 23.40 | 55 | 27.00 | 28.10 | 32.10 | 34.10 | 33.40 |
| 16 | 7.50 | 8.60 | 12.60 | 14.60 | 13.90 | 36 | 17.50 | 18.60 | 22.60 | 24.60 | 23.90 | 56 | 27.50 | 28.60 | 32.60 | 34.60 | 33.90 |
| 17 | 8.00 | 9.10 | 13.10 | 15.10 | 14.40 | 37 | 18.00 | 19.10 | 23.10 | 25.10 | 24.40 | 57 | 28.00 | 29.10 | 33.10 | 35.10 | 34.40 |
| 18 | 8.50 | 9.60 | 13.60 | 15.60 | 14.90 | 38 | 18.50 | 19.60 | 23.60 | 25.60 | 24.90 | 58 | 28.50 | 29.60 | 33.60 | 35.60 | 34.90 |
| 19 | 9.00 | 10.10 | 14.10 | 16.10 | 15.40 | 39 | 19.00 | 20.10 | 24.10 | 26.10 | 25.40 | 59 | 29.00 | 30.10 | 34.10 | 36.10 | 35.40 |
| 20 | 9.50 | 10.60 | 14.60 | 16.60 | 15.90 | 40 | 19.50 | 20.60 | 24.60 | 26.60 | 25.90 | 60 | 29.50 | 30.60 | 34.60 | 36.60 | 35.90 |
| 21 | 10.00 | 11.10 | 15.10 | 17.10 | 16.40 | 41 | 20.00 | 21.10 | 25.10 | 27.10 | 26.40 | 61 | 30.00 | 31.10 | 35.10 | 37.10 | 36.40 |
| 22 | 10.50 | 11.60 | 15.60 | 17.60 | 16.90 | 42 | 20.50 | 21.60 | 25.60 | 27.60 | 26.90 | | | | | | |

How To Order

TFP-3XXZV-TT1-EAX

- A:W/O Cap In Tube
- B:W/CAP (Clip)In Tube
- C:W/Cap In Tape&Reel
- D:W/O Cap In Tape&Reel
- A:A Type
- B:B Type
- E:W/Ear
- Tin Plated
- B:Lower Contact
- T:Upper Contact
- ZV:With ZIF&Vertical SMT Type
- No. Of Positions