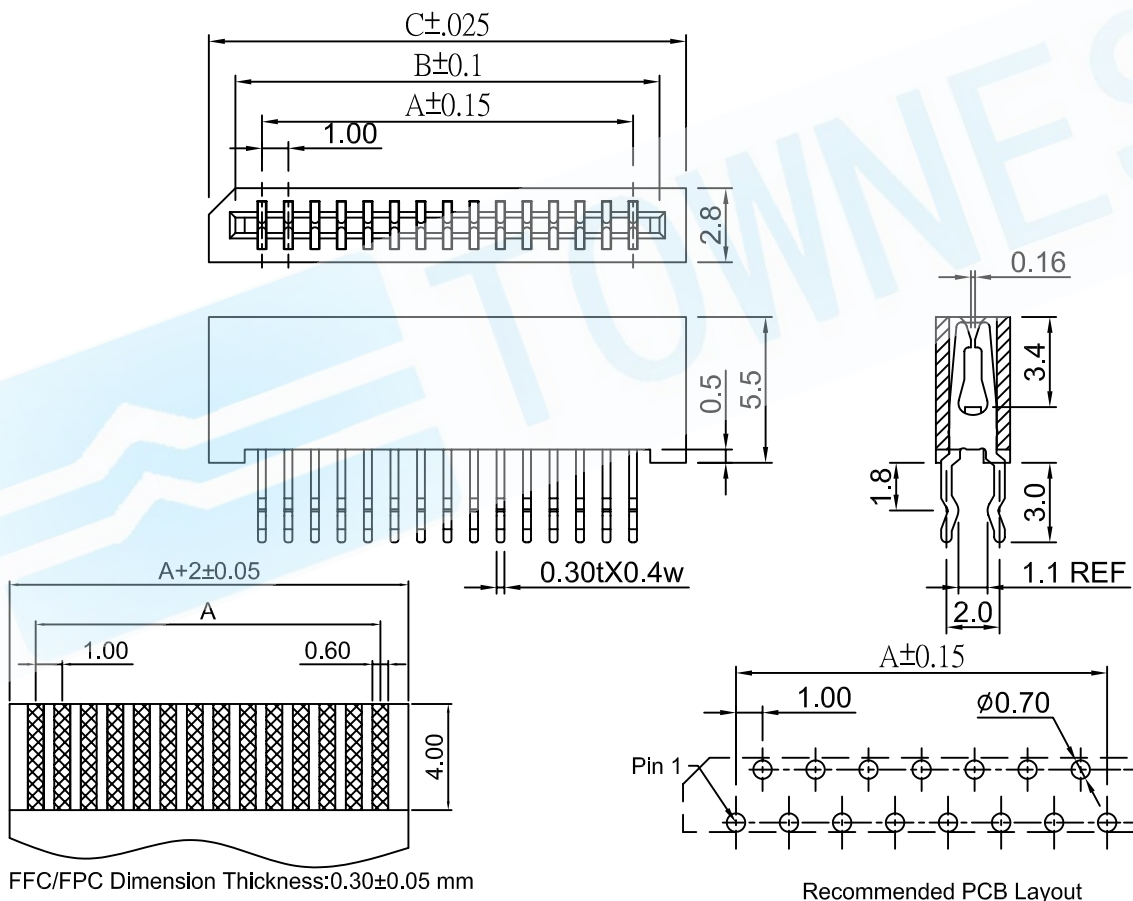
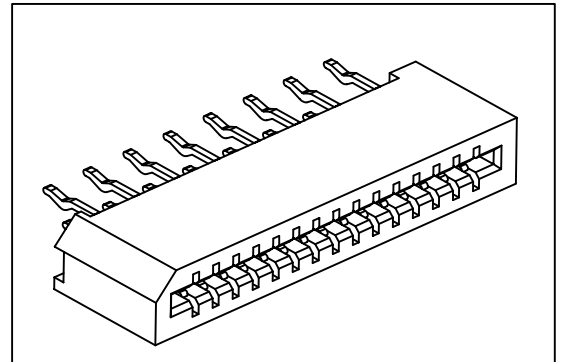


# 0.004"(1.0mm)FPC/FFC Pitch Connector

## NON ZIF STRAIGHT TYPE

### Specifications:

Current Rating	: 0.5 Amp
Voltage Rating	: 100V AC/DC
Contact resistance	: 30m Ohm Max
Insulator resistance	: 1000M ohm min.
Withstanding Voltage	: 250V AC/Minute
Operating Temperature Range	: -20°~+85° C
Max Processing Temp	: 260° for 5 seconds
Insulator Material	: Polyester, UL 94V-0
Contact Material	: Phosphor Bronze
Contact Plated	: Tin Plated



### ■ DIMENSION TABLE

Circuits	Dimension			Circuits	Dimension			Circuits	Dimension		
	A	B	C		A	B	C		A	B	C
2	1.00	3.1	5.0	14	13.00	15.1	17.0	26	25.00	27.1	29.0
3	2.00	4.1	6.0	15	14.00	16.1	18.0	27	26.00	28.1	30.0
4	3.00	5.1	7.0	16	15.00	17.1	19.0	28	27.00	29.1	31.0
5	4.00	6.1	8.0	17	16.00	18.1	20.0	29	28.00	30.1	32.0
6	5.00	7.1	9.0	18	17.00	19.1	21.0	30	29.00	31.1	33.0
7	6.00	8.1	10.0	19	18.00	20.1	22.0	31	30.00	32.1	34.0
8	7.00	9.1	11.0	20	19.00	21.1	23.0	32	31.00	33.1	35.0
9	8.00	10.1	12.0	21	20.00	22.1	24.0	33	32.00	34.1	36.0
10	9.00	11.1	13.0	22	21.00	23.1	25.0	34	33.00	35.1	37.0
11	10.00	12.1	14.0	23	22.00	24.1	26.0	35	34.00	36.1	38.0
12	11.00	13.1	15.0	24	23.00	25.1	27.0	36	35.00	37.1	39.0
13	12.00	14.1	16.0	25	24.00	26.1	28.0				

### How To Order

TFP-C6XXNS-DT1-0AX

- A:W/O Cap In Tube
- B:W/CAP (Clip)In Tube
- C:W/Cap In Tape&Reel
- D:W/O Cap In Tape&Reel
- A:A Type
- B:B Type
- 0:W/O Ear
- Tin Plated
- D:Double Contact
- NS:Non ZIF&Straight Type
- No. Of Postltons